



## PNOZ msi S09, S15, S25

**PILZ**  
THE SPIRIT OF SAFETY

► Accessories PNOZmulti

This document is the original document.

All rights to this documentation are reserved by Pilz GmbH & Co. KG. Copies may be made for the user's internal purposes. Suggestions and comments for improving this documentation will be gratefully received.

Source code from third-party manufacturers or open source software has been used for some components. The relevant licence information is available on the Internet on the Pilz homepage.

Pilz®, PIT®, PMI®, PNOZ®, Primo®, PSEN®, PSS®, PVIS®, SafetyBUS p®, SafetyEYE®, SafetyNET p®, the spirit of safety® are registered and protected trademarks of Pilz GmbH & Co. KG in some countries.



SD means Secure Digital

## Description

The PNOZ msi connector sets are used to create a connection cable/adapter cable to connect an encoder to the speed monitors

- ▶ PNOZ ms1p
- ▶ PNOZ ms2p
- ▶ PNOZ ms3p
- ▶ PNOZ ms4p
- ▶ PNOZ s30
- ▶ PNOZ m EF 1MM
- ▶ PNOZ m EF 2MM
- ▶ PSSu K F EI

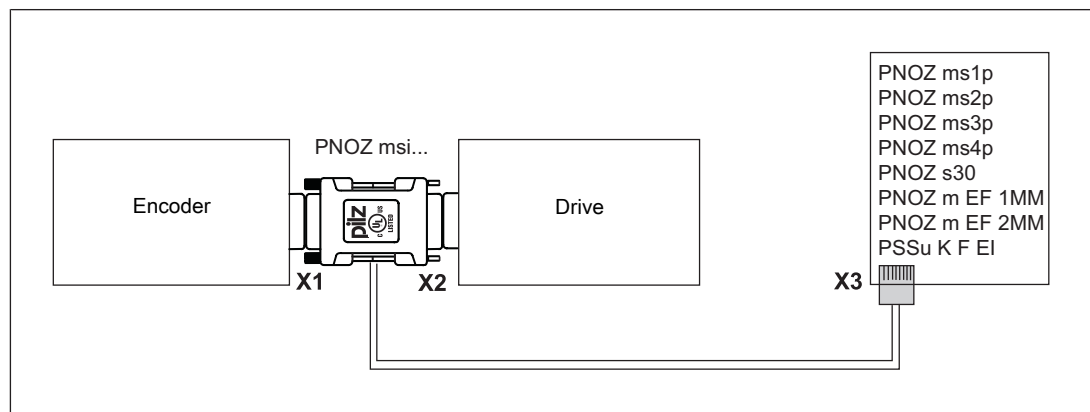
The contacts on the female D-SUB connector and the male D-SUB connector are connected via the PCB and they have the same assignment. The signals that are relevant for the speed monitor are recorded in parallel and are fed to the RJ45 connector or the MINI-IO connector via the cable (Pilz adapter cable see [Order reference for accessories \[6\]](#)).



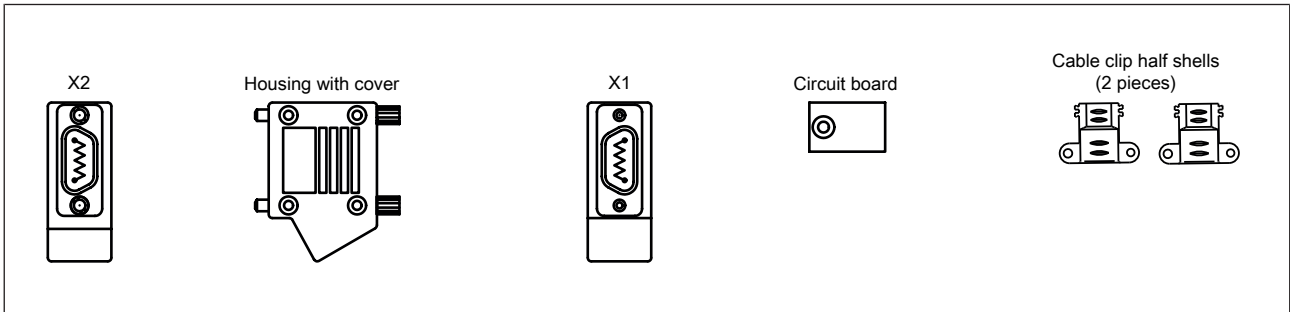
### CAUTION!

Communication errors may occur if the adapter cable is too long or there are any external sources of interference. Use an adapter cable that's less than 5 m in length. Lay the adapter cable separately from any potential sources of interference, such as drive cables leading to the motor, for example.

## Connection

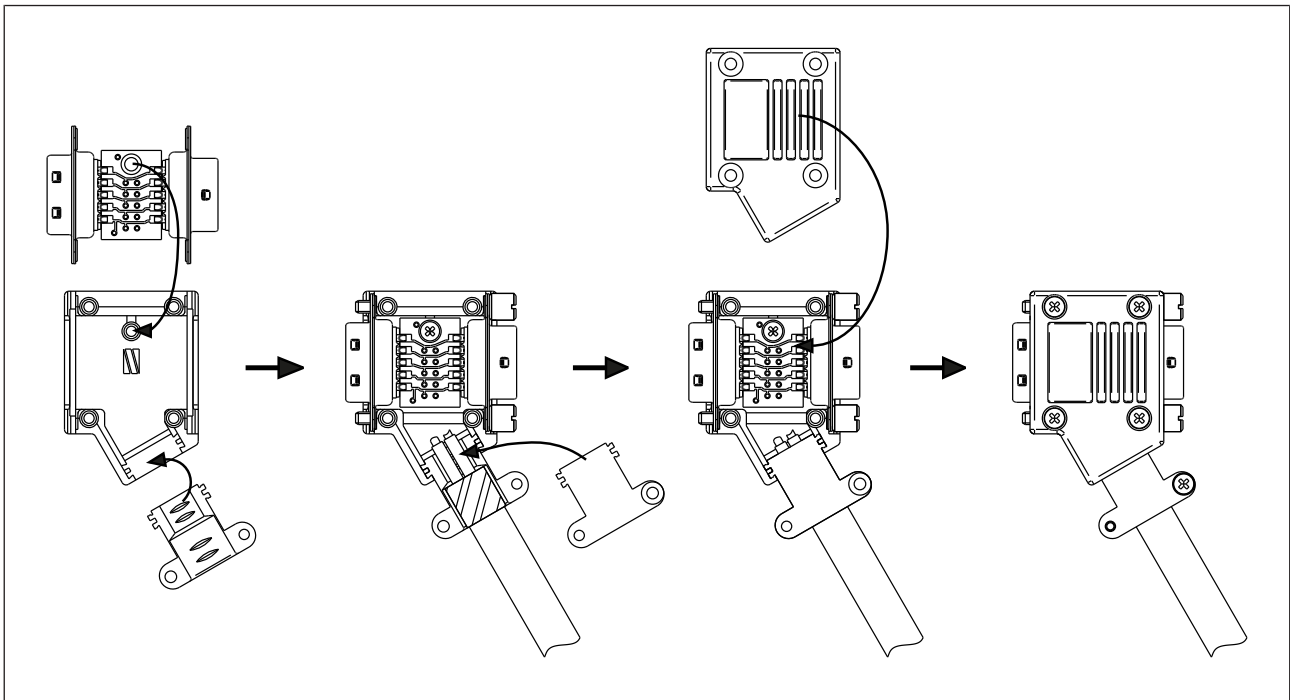


## Installation



To install the system, proceed as follows:

- ▶ Solder the D-SUB female connector strip (X1) and the D-SUB connector strip (X2) to the circuit board.
- ▶ Take the cover off the housing.
- ▶ Place the circuit board and a cable clip half shell into the housing.
- ▶ Solder the individual wires of the cable (depending on the required pin assignment) to the circuit board.
- ▶ Ensure that the cable braided screening is connected firmly with the cable clip.
- ▶ Place the second cable clip half shell into the housing and screw them together.
- ▶ Place the cover on the housing and screw it down.



The cable clip is suitable for cables with a diameter of 3 mm - 12 mm

## Technical details

<b>General</b>	<b>773870</b>	<b>773871</b>	<b>773872</b>
Certifications	-	-	-
<b>Electrical data</b>	<b>773870</b>	<b>773871</b>	<b>773872</b>
Test voltage	<b>1.000 V</b>	<b>1.000 V</b>	<b>1.000 V</b>
Insulation resistance	<b>1000 MOhm</b>	<b>1000 MOhm</b>	<b>1000 MOhm</b>
Volume resistance	<b>20 mOhm</b>	<b>20 mOhm</b>	<b>20 mOhm</b>
<b>Environmental data</b>	<b>773870</b>	<b>773871</b>	<b>773872</b>
Ambient temperature			
Temperature range	<b>0 - 60 °C</b>	<b>0 - 60 °C</b>	<b>0 - 60 °C</b>
Storage temperature			
Temperature range	<b>-25 - 70 °C</b>	<b>-25 - 70 °C</b>	<b>-25 - 70 °C</b>
Condensation during operation	<b>Not permitted</b>	<b>Not permitted</b>	<b>Not permitted</b>
Protection type			
Mounting area (e.g. control cabinet)	<b>IP54</b>	<b>IP54</b>	<b>IP54</b>
Housing	<b>IP40</b>	<b>IP40</b>	<b>IP40</b>
<b>Mechanical data</b>	<b>773870</b>	<b>773871</b>	<b>773872</b>
Plug-in connector X1	<b>9-pin D-Sub male connector</b>	<b>15-pin D-Sub male connector</b>	<b>25-pin D-Sub male connector</b>
Plug-in connector X2	<b>9-pin D-Sub female connector</b>	<b>15-pin D-Sub female connector</b>	<b>25-pin D-Sub female connector</b>
Fixing screws	<b>UNC 4-40</b>	<b>UNC 4-40</b>	<b>UNC 4-40</b>
Housing material X1	<b>Steel</b>	<b>Steel</b>	<b>Steel</b>
Housing material X2	<b>Steel</b>	<b>Steel</b>	<b>Steel</b>
Material of contact surface X1	<b>Au</b>	<b>Au</b>	<b>Au</b>
Material of contact surface X2	<b>Au</b>	<b>Au</b>	<b>Au</b>
Material of pin	<b>Cu alloy</b>	<b>Cu alloy</b>	<b>Cu alloy</b>
Material of socket	<b>Cu alloy</b>	<b>Cu alloy</b>	<b>Cu alloy</b>
Mating cycles X1	<b>50</b>	<b>50</b>	<b>50</b>
Mating cycles X2	<b>50</b>	<b>50</b>	<b>50</b>
Certification plug-in connector X1	<b>UL94 V-0</b>	<b>UL94 V-0</b>	<b>UL94 V-0</b>
Certification plug-in connector X2	<b>UL94 V-0</b>	<b>UL94 V-0</b>	<b>UL94 V-0</b>
Material			
Housing	<b>Zn</b>	<b>Zn</b>	<b>Zn</b>
Dimensions			
Height	<b>44 mm</b>	<b>52,3 mm</b>	<b>66,2 mm</b>
Width	<b>30 mm</b>	<b>30 mm</b>	<b>30 mm</b>
Depth	<b>17,6 mm</b>	<b>17,6 mm</b>	<b>17,6 mm</b>
Weight	<b>80 g</b>	<b>89 g</b>	<b>106 g</b>

## Order reference

### Product

Product type	Features	Connector X1	Connector X2	Connector X3	Order no.
PNOZ msi S09		9-pin D-Sub male connector	9-pin D-Sub female connector		773 870
PNOZ msi S15		15-pin D-Sub male connector	15-pin D-Sub female connector		773 871
PNOZ msi S25		25-pin D-Sub male connector	25-pin D-Sub female connector		773 872

### Accessories

Product type	Features	Connector X1	Connector X2	Connector X3	Order no.
PNOZ msi 9p adapter cable 5m	5 m	8-pin RJ45 male connector			773 856
PNOZ msi 10p adapter cable 2.5m	2.5 m	8-pin RJ45 male connector			773 854
PNOZ msi 11p adapter cable 1.5m	1.5 m	8-pin RJ45 male connector			773 855
MM A MINI-IO CAB99 1.5m	1.5 m	8-pin Mini-IO male connector			772 200
MM A MINI-IO CAB99 2.5m	2.5 m	8-pin Mini-IO male connector			772 201
MM A MINI-IO CAB99 5.0m	5 m	8-pin Mini-IO male connector			772 202